

embedded accessories **Specification**

# AS-NNR25VTD-XX-2 AS-NNR25VRD-XX-2

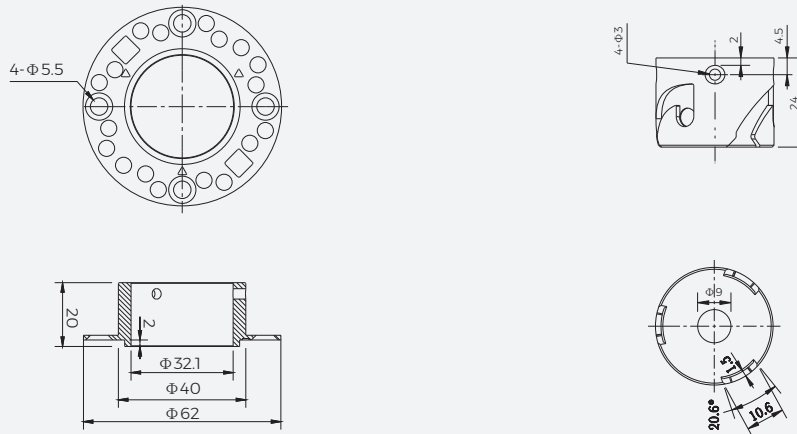


## 【Features】

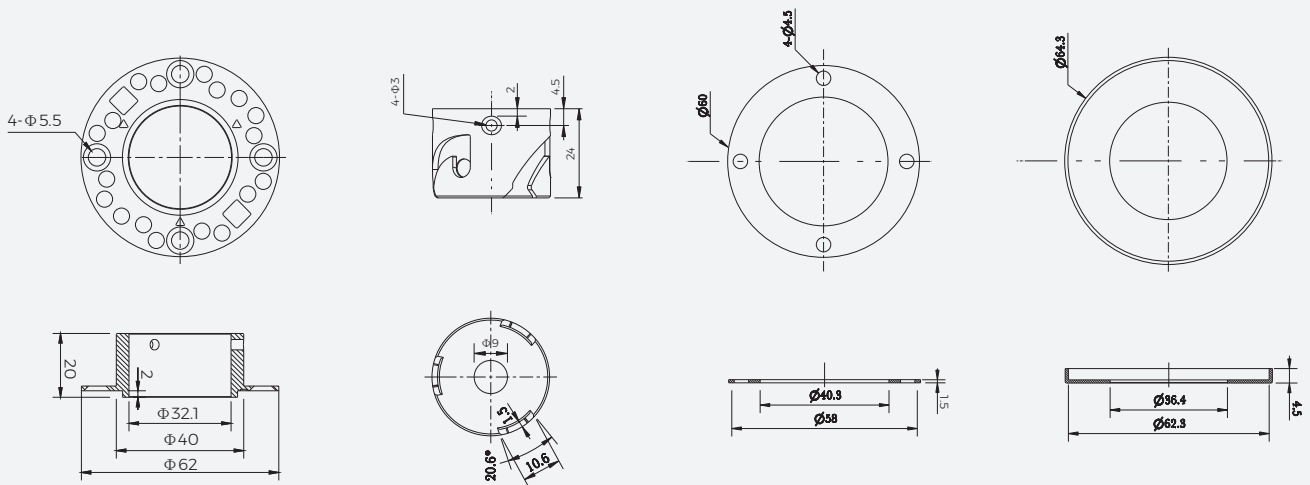
- Material: aluminum;
- Operating environment: indoor;
- Installation: screw flat mounting;
- Mounting hole size:  $\Phi 40\text{mm}$ ;
- Warranty: 6 years.

## 【Mechanical Parameter】


### AS-NNR25VTD-XX-2



### AS-NNR25VRD-XX-2



## 【Specification information】

Describe	Accessories Picture	Order model	Quantity/ case (PCS)	Net weight (kg)	Per box net weight (kg)	Gross weight (kg)	Packages (mm)	Range of applications
NNR25 Trimless embedded accessory		AS-NNR25VTD -XX-2	36	0.11	3.96	4.96	410*410*260	Appearance size: $\phi 62 \times 20$ mm Mounting hole size: $\phi 40$ mm
NNR25 Embedded accessory		AS-NNR25VRD -XX-2	36	0.18	6.48	7.48	410*410*260	Appearance size: $\phi 64 \times 20$ mm Mounting hole size: $\phi 40$ mm

## 【Precautions】

- Do not use any acid or alkaline adhesive to fix products(including not limited to glass cement,etc).
- After the installation of the lamps and lanterns is completed, do not pull violently, to avoid damage to the lamp.
- Maximum lifting weight of accessories is 4kg(No more than 5 meters).